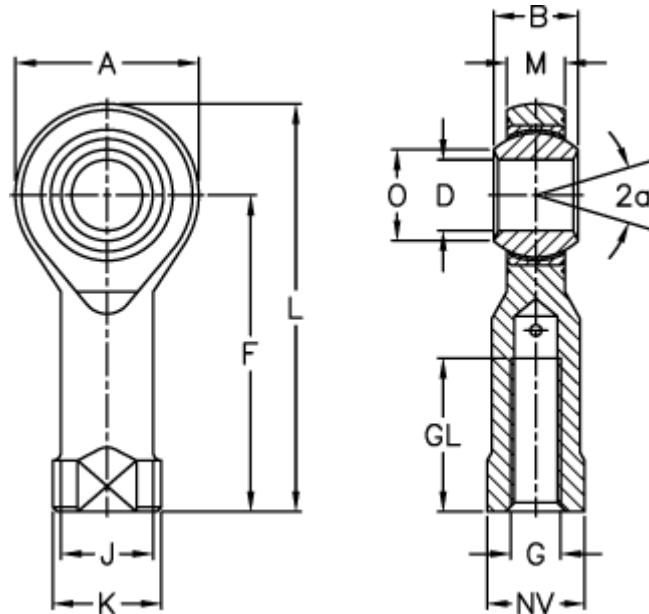


Article number: 03009022C

Description: Fluro Rod End 22

Measures



A	= 54	J	= 30	Weight (g) = 540
a (degrees)	= 15	K	= 37	
B	= 28	L	= 111	
D	= 22	M	= 20	
Dynamic load C (kN)	= 97	NV	= 32	
F	= 84	O	= 25.8	
G	= M22x1,5	Permissible rpm	= 170	
GL	= 37	Static load C0 (kN)	= 53	